



**Verdera®**  
mirrored side kit for medicine cabinet  
**K-99012**

**Features**

- Required for surface mounting of Verdera medicine cabinets.
- Includes two side mirrors and all hardware.

**Material**

- Mirrored glass construction.

**Installation**

- Includes all hardware.

**Recommended Products/Accessories**

- K-99000 Medicine Cabinet
- K-99001 Medicine Cabinet
- K-99002 Medicine Cabinet
- K-99003 Medicine Cabinet
- K-99006 Medicine Cabinet
- K-99007 Medicine Cabinet
- K-99008 Medicine Cabinet
- K-99009 Medicine Cabinet
- K-99010 Medicine Cabinet
- K-99011 Medicine Cabinet
- K-99005-L Medicine Cabinet
- K-99005-R Medicine Cabinet
- K-23723 Faucet cleaner

**Included Components**

Additional Components:

- Hardware
- Side mirror (Qty 2)

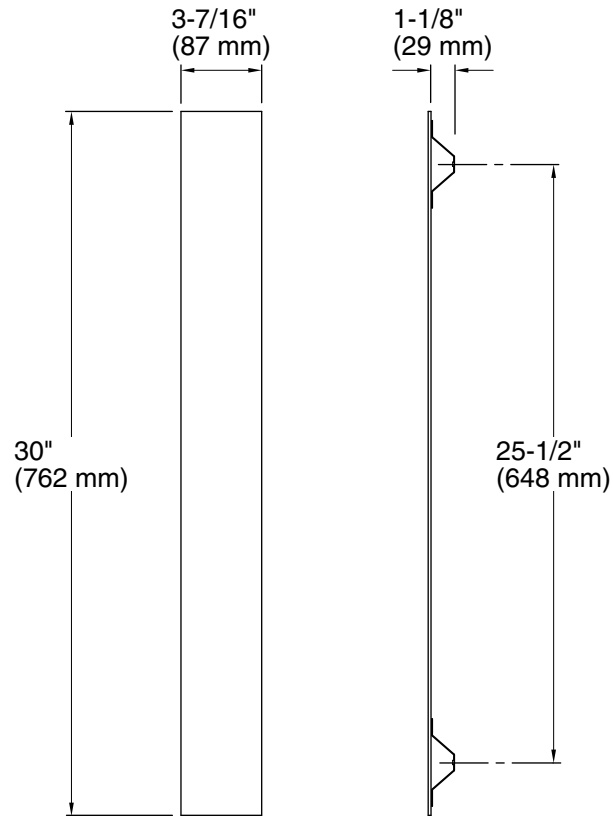


**Codes/Standards**

None Applicable

**KOHLER® One-Year Limited  
Warranty**

See website for detailed warranty information.



## Technical Information

All product dimensions are nominal.

Installation Type: Surface-mount

Material: Glass

## Notes

Install this product according to the installation guide.