

### Features

- For use with a handshower and hose (sold separately).
- Includes check valve for backflow prevention.
- Handshower holder fits most handshowers.
- Coordinates with other products in the Exhale collection.

### Material

- Metal construction.
- KOHLER finishes resist corrosion and tarnishing.

### Installation

- Wall-mount.
- Easy installation using slip-fit connection.
- Includes 1218069 supply adapter.
- May require other adapter based on installation type (sold separately).

### Recommended Products/Accessories

K-23723 Faucet cleaner



### Codes/Standards



ASME A112.18.1/CSA B125.1

### KOHLER® Faucet Lifetime Limited Warranty

See website for detailed warranty information.

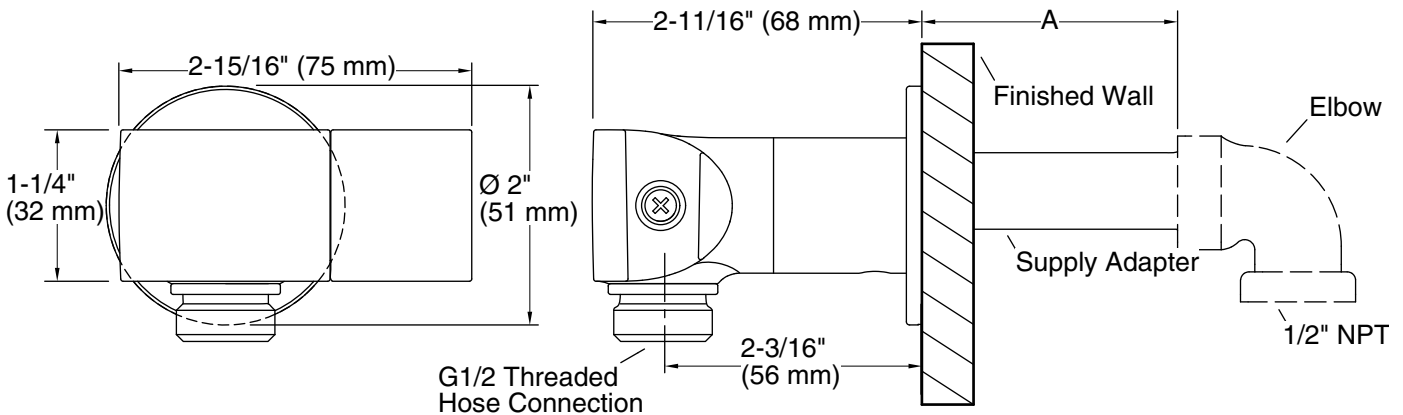
### Available Colors/Finishes

*Color tiles intended for reference only.*

| Color   | Code | Description              |
|---|------|--------------------------|
|  | CP   | Polished Chrome          |
|  | SN   | Vibrant® Polished Nickel |
|  | BN   | Vibrant® Brushed Nickel  |
|  | TT   | Vibrant Titanium         |

| Supply Adapter     | A                                  |
|--------------------|------------------------------------|
| 1218069 (included) | 1-13/16" – 2-5/16" (46 mm – 59 mm) |
| 1229031*           | 0 – 1/2" (0 – 13 mm)               |
| 1247986*           | 5/16" – 13/16" (8 mm – 21 mm)      |
| 1247985*           | 13/16" – 1-5/16" (21 mm – 33 mm)   |
| 1247984*           | 1-5/16" – 1-13/16" (33 mm – 46 mm) |
| 1218070*           | 2-5/16" – 2-13/16" (59 mm – 71 mm) |
| 1218071*           | 2-13/16" – 3-5/16" (71 mm – 84 mm) |

\*Sold Separately



### Technical Information

All product dimensions are nominal.

### Notes

Install this product according to the installation guide.

If dimension "A" is between 1-13/16" (46 mm) and 2-5/16" (59 mm) use the included supply adapter. For the other dimensions, order the appropriate supply adapter.