

Features

- 71-3/4"L x 36"W x 20-7/8"H.
- Contoured drain overflow allows comfortable bathing at either end or room for two.
- Constructed of KOHLER® Cast Iron.
- Spacious design accommodates up to two bathers.
- Removable pillow and bath drain not included.

Installation

- Drop-in or undermount.
- Requires K-23856 cable pop-up bath drain and K-23857 bath drain trim (sold separately).

Required Products/Accessories

K-23856 1-1/2" cable pop-up bath drain

or

K-23857 Bath drain trim

Recommended Products/Accessories

K-582 Under-Mount Installation Kit

K-1179 Vinyl Tiling-in Bead

K-1601 Bath/whirlpool footstop, removable

K-23726 Drain treatment

K-23725 Cast iron cleaner



Codes/Standards

ASME A112.19.1/CSA B45.2















ASTM F462

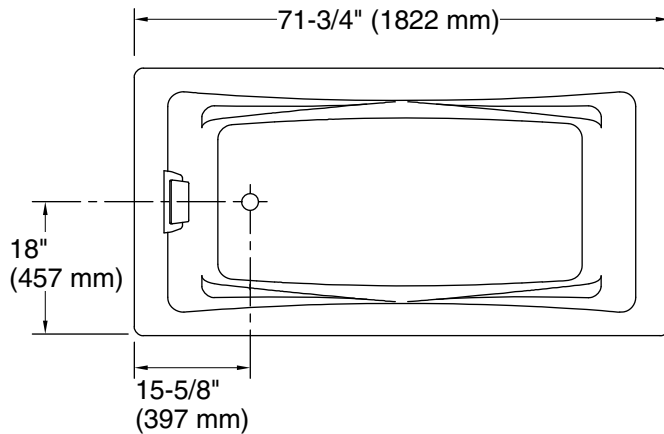
KOHLER® Enameled Cast Iron Bath and Shower Base Lifetime Limited Warranty

See website for detailed warranty information.

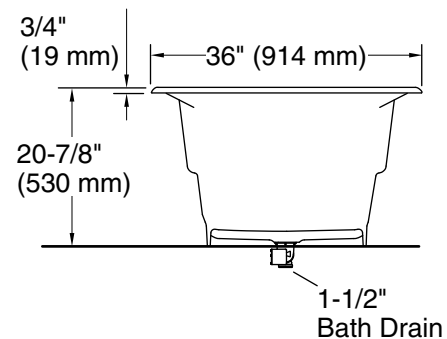
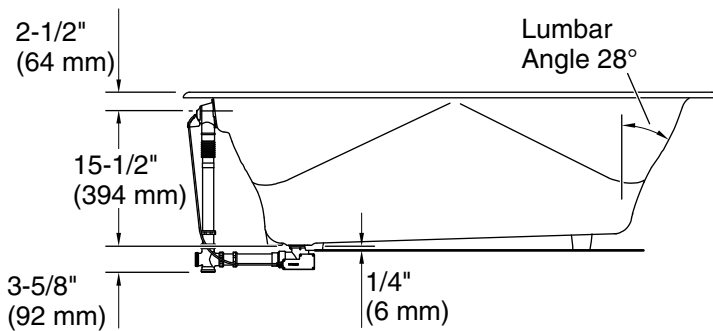
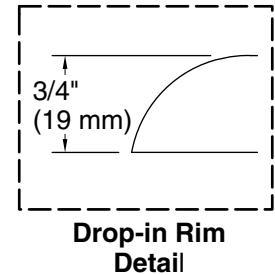
Available Colors/Finishes

Color tiles intended for reference only.

Color	Code	Description
	0	White
	96	Biscuit
	NY	Dune
	Y2	Sunlight
	95	Ice™ Grey
	G9	Sandbar
	33	Mexican Sand™
	6	Skylight
	K4	Cashmere
	58	Thunder™ Grey
	7	Black Black™
	GRL	Grey Lavender
	DGB	Indigo Blue
	PLM	Black Plum



No change in measurements if connected with drain illustrated. (K-23856-NA)



Technical Information

All product dimensions are nominal.

Installation:	Drop-in, Under-mount
Drain location:	End
Basin area, bottom:	49" x 22" (1245 mm x 559 mm)
Basin area, top:	62" x 28" (1575 mm x 711 mm)
Weight:	404 lbs (183.3 kg)
Minimum floor load:	65 lbs/ft ² (317.4 kg/m ²)
Water depth:	17" (432 mm)
Water capacity:	89 gal (336.9 L)
Cutout:	Drop-in, 70-1/4" x 34-1/2" (1784 mm x 876 mm)
Template:	Under-mount, K-582, required, not included
Minimum flat for door:	2-1/4" (57 mm)

Notes

Measure your actual product for rough-in details.

Install this product according to the installation instructions.

The hot water supply should be 70% of the capacity of the bath or greater. Installations will vary.

Kit is required for under-mount installations (sold separately).