



# Tea-for-Two®

66" x 36" drop-in/undermount bath  
K-855

## Features

- Spacious design accommodates up to two bathers.
- Safeguard® slip-resistant surface on bath floor.

## Material

- KOHLER® enameled cast iron.

## Installation

- Reversible drain.
- Undermount.
- Drop-in or undermount.
- Requires K-23856 cable pop-up bath drain and K-23857 bath drain trim (sold separately).



## Required Products/Accessories

K-23856 1-1/2" cable pop-up bath drain

or

K-23857 Bath drain trim

## Recommended Products/Accessories

K-587 Under-Mount Installation Kit

K-23726 Drain treatment

K-23725 Cast iron cleaner

## Codes/Standards

ASME A112.19.1/CSA B45.2








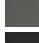




ASTM F462

## KOHLER® Enameled Cast Iron Bath and Shower Base Lifetime Limited Warranty

See website for detailed warranty information.

## Available Colors/Finishes

*Color tiles intended for reference only.*

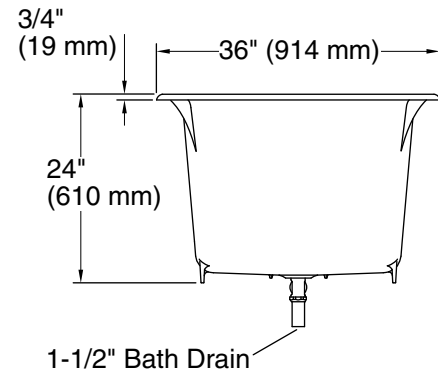
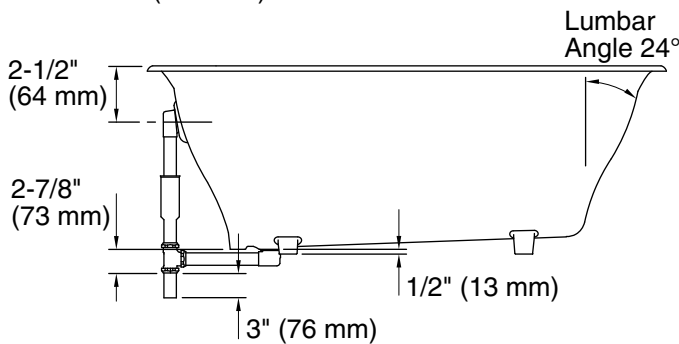
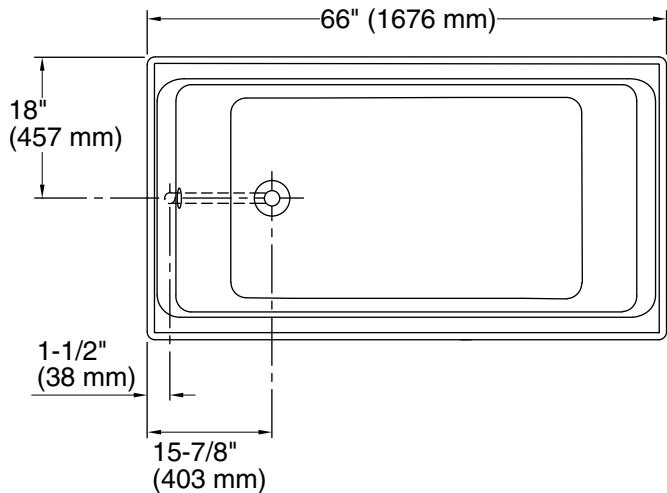
Color	Code	Description
	0	White
	96	Biscuit
	NY	Dune
	95	Ice™ Grey
	G9	Sandbar
	33	Mexican Sand™
	K4	Cashmere
	58	Thunder™ Grey
	7	Black Black™
	GRL	Grey Lavender
	DGB	Indigo Blue
	PLM	Black Plum

1-800-4KOHLER (1-800-456-4537)

Kohler Co. reserves the right to make revisions without notice to product specifications.

For the most current Specification Sheet, go to [www.kohler.com](http://www.kohler.com).

THE BOLD LOOK  
OF **KOHLER**®



No change in measurements if connected with drain illustrated. (K-7147-AF)

### Technical Information

All product dimensions are nominal.

Installation:	Drop-in, Under-mount
Drain location:	End
Basin area, bottom:	45" x 25" (1143 mm x 635 mm)
Basin area, top:	58" x 29" (1473 mm x 737 mm)
Weight:	440 lbs (199.6 kg)
Minimum floor load:	81 lbs/ft <sup>2</sup> (395.5 kg/m <sup>2</sup> )
Water depth:	19-1/2" (495 mm)
Water capacity:	105 gal (397.5 L)
Cutout:	Drop-in, 64-1/2" x 34-1/2" (1638 mm x 876 mm)
Template:	Under-mount, K-587, required, not included
Minimum flat for door:	1-13/16" (46 mm)

### Notes

Measure your actual product for rough-in details.

Install this product according to the installation instructions.

The hot water supply should be 70% of the capacity of the bath or greater. Installations will vary.

Kit is required for under-mount installations (sold separately).