

Features

- Freestanding design creates a striking focal point in your bathing area.
- 17-inch soaking depth.
- Sloped lumbar support offers extra comfort while bathing.
- Integral slotted overflow allows for deep soaking.
- Center toe-tap drain with KOHLER Lithocast® Gloss cover.

Material

- KOHLER Lithocast® Gloss cast resin.

Installation

- Freestanding



Codes/Standards

CSA B45.5/IAPMO Z124

KOHLER® Plastic Baths and Receptors Lifetime Limited Warranty

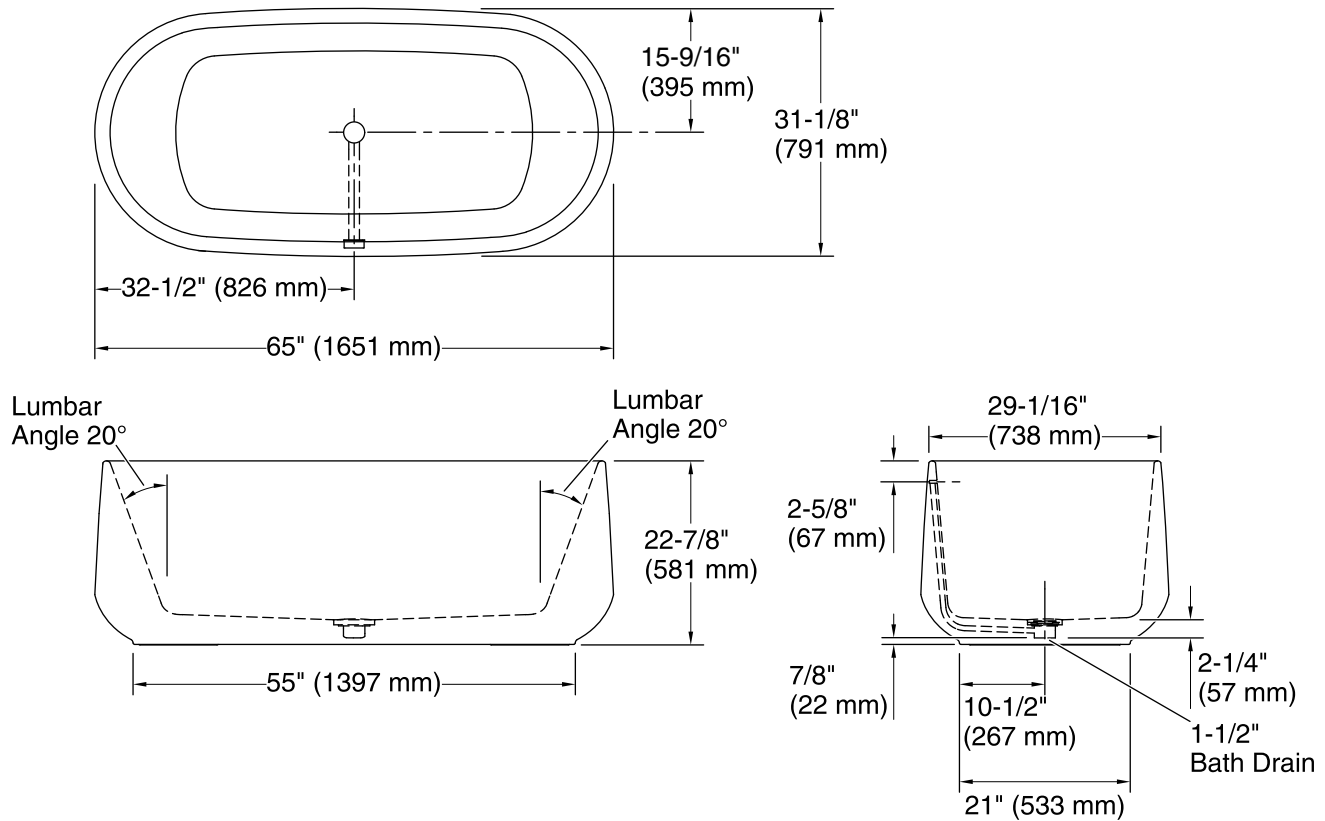
See website for detailed warranty information.

Available Colors/Finishes

Color tiles intended for reference only.

| Color | Code | Description |
|-------|------|-------------|
|-------|------|-------------|

| | | |
|--|---|-------|
|  | 0 | White |
|--|---|-------|



Technical Information

All product dimensions are nominal.

| | |
|---------------------|--|
| Installation: | Freestanding |
| Drain location: | Center |
| Basin area, bottom: | 48-5/16" x 24-5/16" (1228 mm x 618 mm) |
| Basin area, top: | 61-3/16" x 27-7/16" (1554 mm x 696 mm) |
| Weight: | 320 lbs (145.1 kg) |
| Minimum floor load: | 133.5 lbs/ft ² (651.8 kg/m ²) |
| Water depth: | 17-1/8" (435 mm) |
| Water capacity: | 90 gal (340.7 L) |
| Template: | Footprint, 1314997, not required, not included |

Notes

Measure your actual product for rough-in details.

Install this product according to the installation instructions.

The hot water supply should be 70% of the capacity of the bath or greater. Installations will vary.

Allow for 3" (76 mm) diameter of clearance around the drain pipe on finished floor material to prevent drain body interference during installation.