



Components™

Vertical Toilet Tissue Holder

K-78383

Features

- Vertical holder provides easy access for changing toilet tissue.
- Premium metal construction.
- KOHLER finishes resist corrosion and tarnish.
- Coordinates with Components faucets and shower trim to complete your bathroom.

Installation

- Tools and installation template included.



Codes/Standards




None Applicable

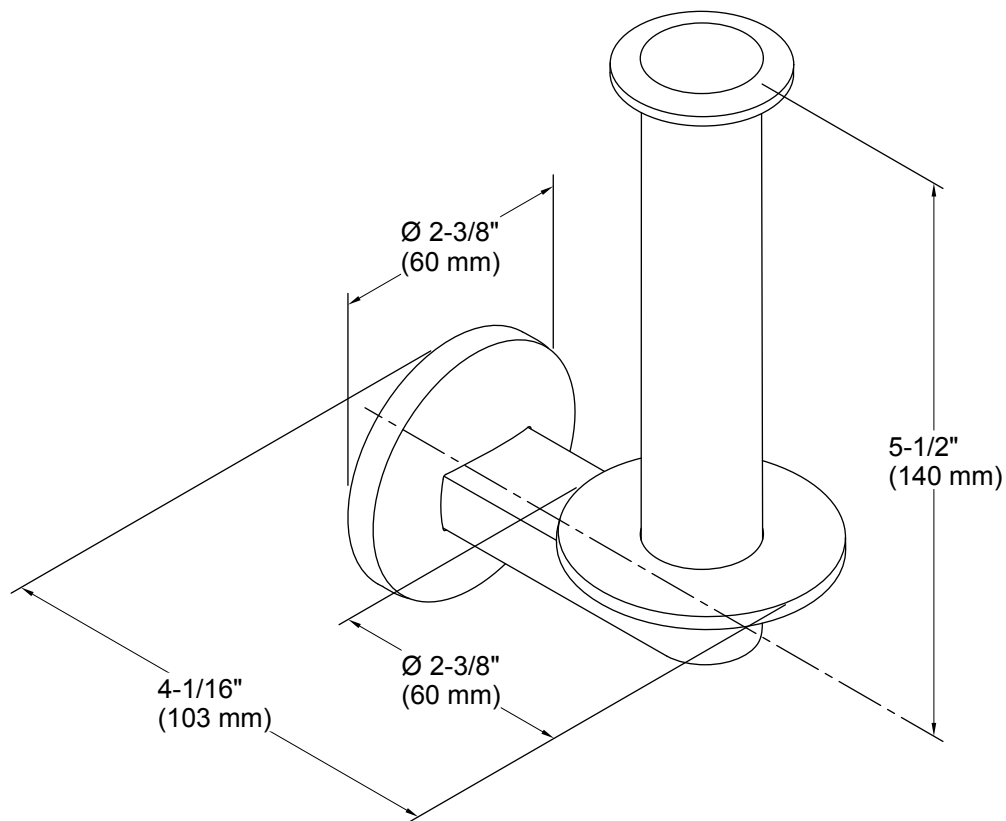
KOHLER® Faucet Lifetime Limited Warranty

See website for detailed warranty information.

Available Colors/Finishes

Color tiles intended for reference only.

Color	Code	Description
	CP	Polished Chrome
	BN	Vibrant® Brushed Nickel
	BL	Matte Black



Technical Information

All product dimensions are nominal.

Material: Zinc, Brass

Notes

Install this product according to the installation instructions.

CAUTION: Risk of personal injury. Do not install these products in any area where they are likely to be used inadvertently as a grab bar or support bar. These products are not designed or intended for use as a grab bar or support bar.