

Features

- For use with the K-18829 2" x 4" in-wall tank and carrier system.
- Large flush actuator plate opening can be removed for easy access to inner tank.
- Dual-flush actuator offers a choice of 0.8 or 1.6 gpf (3.0 or 6.0 lpf).

Installation

- See installation guide for more detailed information.

Water Conservation & Rebates

- Eligible for consumer rebates in some municipalities.

Recommended Products/Accessories

K-18829 2x4 In-Wall Tank & Carrier System
K-23723 Faucet cleaner



Codes/Standards






None Applicable

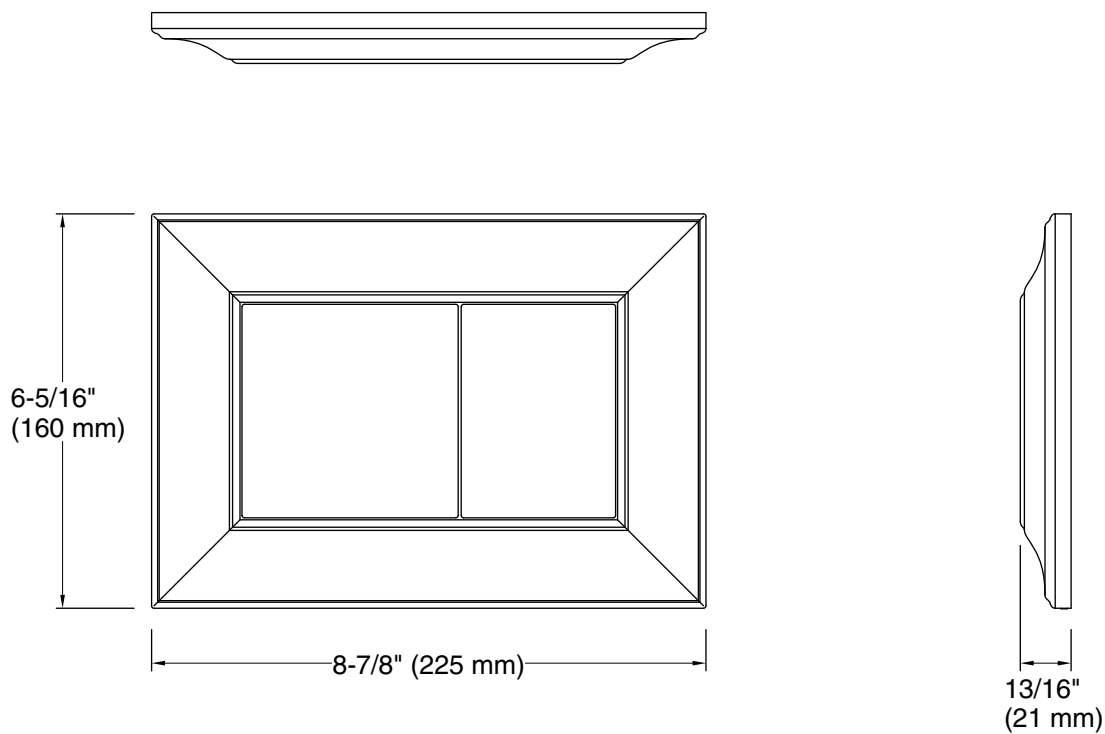
KOHLER® Toilets and Seats Limited Warranty

See website for detailed warranty information.

Available Colors/Finishes

Color tiles intended for reference only.

Color	Code	Description
	CP	Polished Chrome
	BN	Vibrant® Brushed Nickel
	0	White
	96	Biscuit
	7	Black Black™



Technical Information

All product dimensions are nominal.

Material: Plastic