



Bakersfield™

Under-Mount Kitchen Sink

K-5832-5U

Features

- 33" (838 mm) minimum base cabinet width.
- Single bowl.
- 8" (203 mm) bowl depth.
- Three oversized faucet holes with two oversized accessory holes to the right.
- Oversized holes allow for easy installation of faucets and accessories.
- Strainer sold separately.

Material

- KOHLER® enameled cast iron.

Installation

- Undermount installation kit not included.
- Undermount.

Recommended Products/Accessories

- K-6517 Sink Rack
- K-6539 Drainboard with Sink Rack
- K-8801 Sink Strainer
- K-8799 Sink Strainer
- K-11352 Disposal Flange with Stopper
- K-9000 P-Trap
- 1411886 Undermount sink kit 23"
- K-23726 Drain treatment
- K-23725 Cast iron cleaner



Codes/Standards




ASME A112.19.1/CSA B45.2

KOHLER® Enameled Cast Iron Kitchen Sink Lifetime Limited Warranty

See website for detailed warranty information.

Available Colors/Finishes

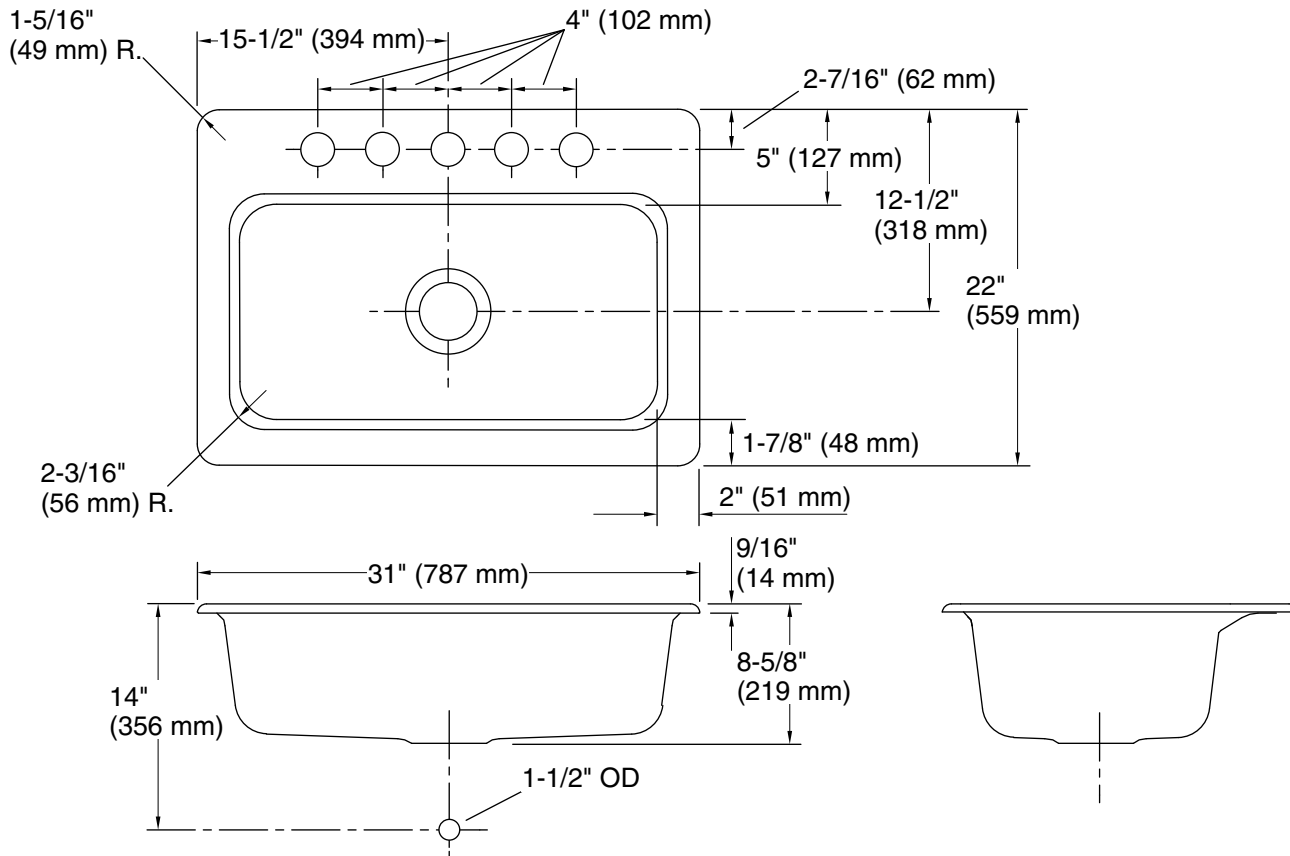
Color tiles intended for reference only.

| Color | Code | Description |
|---|------|--------------|
|  | 0 | White |
|  | 96 | Biscuit |
|  | 7 | Black Black™ |

1-800-4KOHLER (1-800-456-4537)

Kohler Co. reserves the right to make revisions without notice to product specifications.
For the most current Specification Sheet, go to www.kohler.com.

THE BOLD LOOK
OF **KOHLER**®



Technical Information

All product dimensions are nominal.

Bowl configuration: Single

Installation: Undermount

Min. base cabinet width: 33" (838 mm)

Bowl area: Length: 27" (686 mm)
Width: 15" (381 mm)
Bowl depth: 8" (203 mm)

Number of deck holes: 5

Faucet hole(s): 2-3/8" (60 mm)

Drain hole: 3-5/8" (92 mm)

Template: 1139754-7, required, included

Notes

Install this product according to the installation instructions.

Faucet holes in under-mount fixture are oversized at \varnothing 2-3/8" (60 mm). Drill faucet holes in counter according to fitting rough-in.