



Whitehaven®
 24" Single Bowl Sink with Tall Apron
K-5665

Features

- Fits minimum 24-inch apron sink base cabinet.
- Single bowl.
- 9-inch depth.
- Self-Trimming apron overlaps the cabinet face for easy installation and beautiful results.
- No faucet holes.
- Center drain.
- Includes cutout templates.

Material

- KOHLER® enameled cast iron.

Installation

- Under-mount apron-front.

Recommended Products/Accessories

- K-9000 P-Trap
- K-8395 Sink Rack
- K-6377 Sponge Caddy
- K-6378 Kitchen Brush Caddy
- K-6379 Kitchen Squeegee
- K-6382 Disinfecting Wipes Dispenser
- K-6383 Soap Dispenser
- K-8618 Paper Towel Holder
- K-8619 Flexible Kitchen Mat
- K-8624 Dish Scraper
- K-8801 Sink Strainer
- K-8799 Sink Strainer



Codes/Standards

ASME A112.19.1/CSA B45.2

KOHLER® Enameled Cast Iron Kitchen Sink Lifetime Limited Warranty

See website for detailed warranty information.

Available Colors/Finishes

Color tiles intended for reference only.

| Color | Code | Description |
|-------|------|---------------|
| | 0 | White |
| | FF | Sea Salt™ |
| | 96 | Biscuit |
| | 47 | Almond |
| | FD | Cane Sugar™ |
| | NY | Dune |
| | 95 | Ice™ Grey |
| | G9 | Sandbar |
| | 33 | Mexican Sand™ |
| | K4 | Cashmere |
| | FT | Basalt |
| | 58 | Thunder™ Grey |
| | 20 | Suede |
| | KA | Black 'n Tan |
| | FP | Caviar |
| | 7 | Black Black™ |

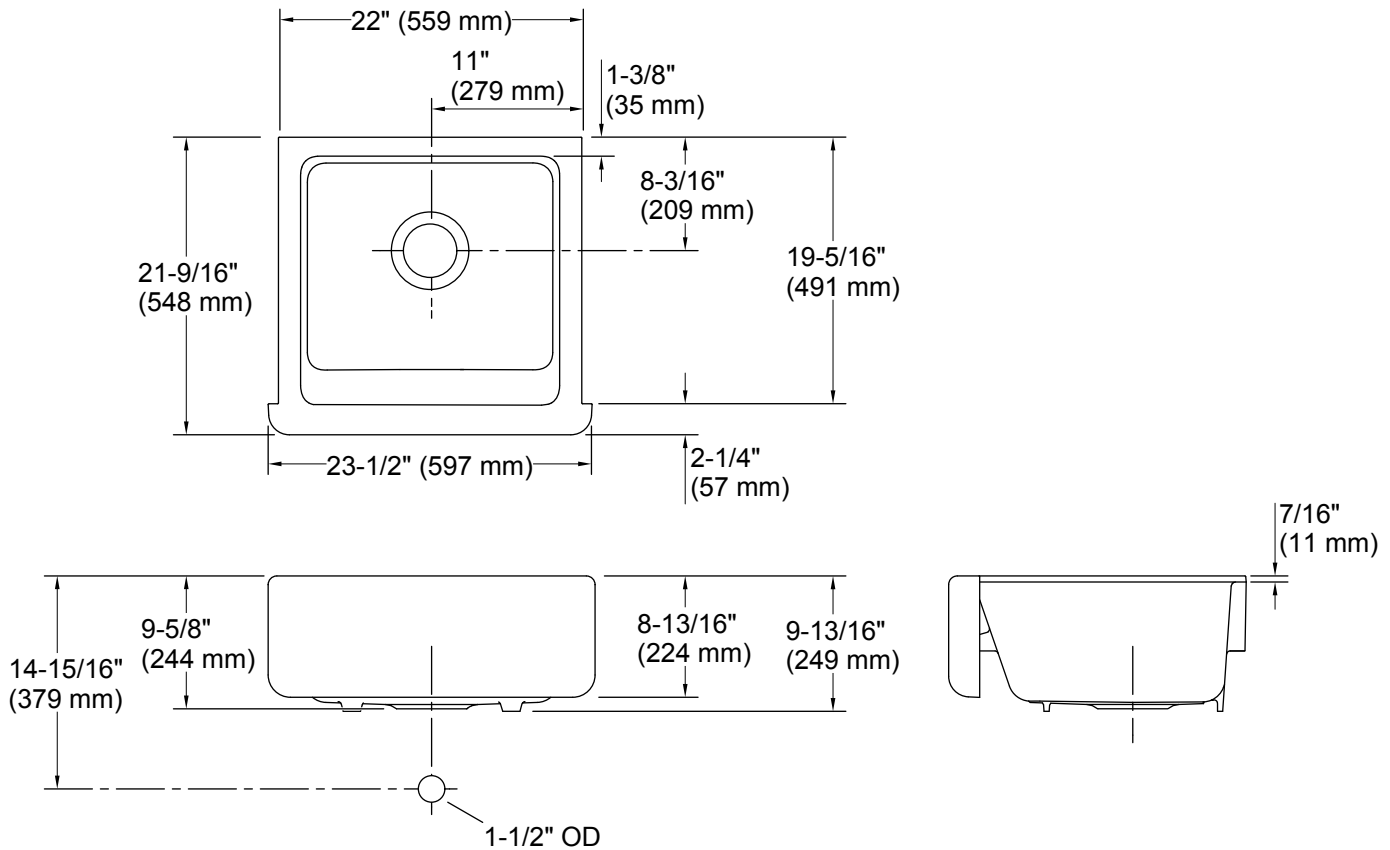
1-800-4KOHLER (1-800-456-4537)

Kohler Co. reserves the right to make revisions without notice to product specifications.

For the most current Specification Sheet, go to www.kohler.com.

4-25-2019 22:55 - US/CA





Technical Information

All product dimensions are nominal.

| | |
|--------------------------|---|
| Bowl configuration: | Single |
| Installation: | Under-mount |
| Min. base cabinet width: | 24" (610 mm) |
| Bowl area (Only): | Length: 18-13/16" (477 mm) Width: 18-1/16" (459 mm) Bowl depth: 9" (229 mm) Water depth: 9" (229 mm) |
| Drain hole: | 3-5/8" (92 mm) |
| Template: | 1247417, required, included 1239229-7, required, included |

Notes

Install this product according to the installation instructions.