



**Langlade®**  
Left-bowl sink rack  
**K-5182**

**Features**

- Fits in the left bowl of the K-6626 Langlade Smart Divide® kitchen sink.
- Helps protect sink surface from daily wear.
- Innovative wheels around the perimeter provide a secure fit and reduce debris buildup.
- Dishwasher safe.

**Material**

- Durable stainless steel construction.

**Recommended Products/Accessories**

K-23729 Stainless steel cleaner



**Codes/Standards**

None Applicable


**KOHLER® One-Year Limited  
Warranty**

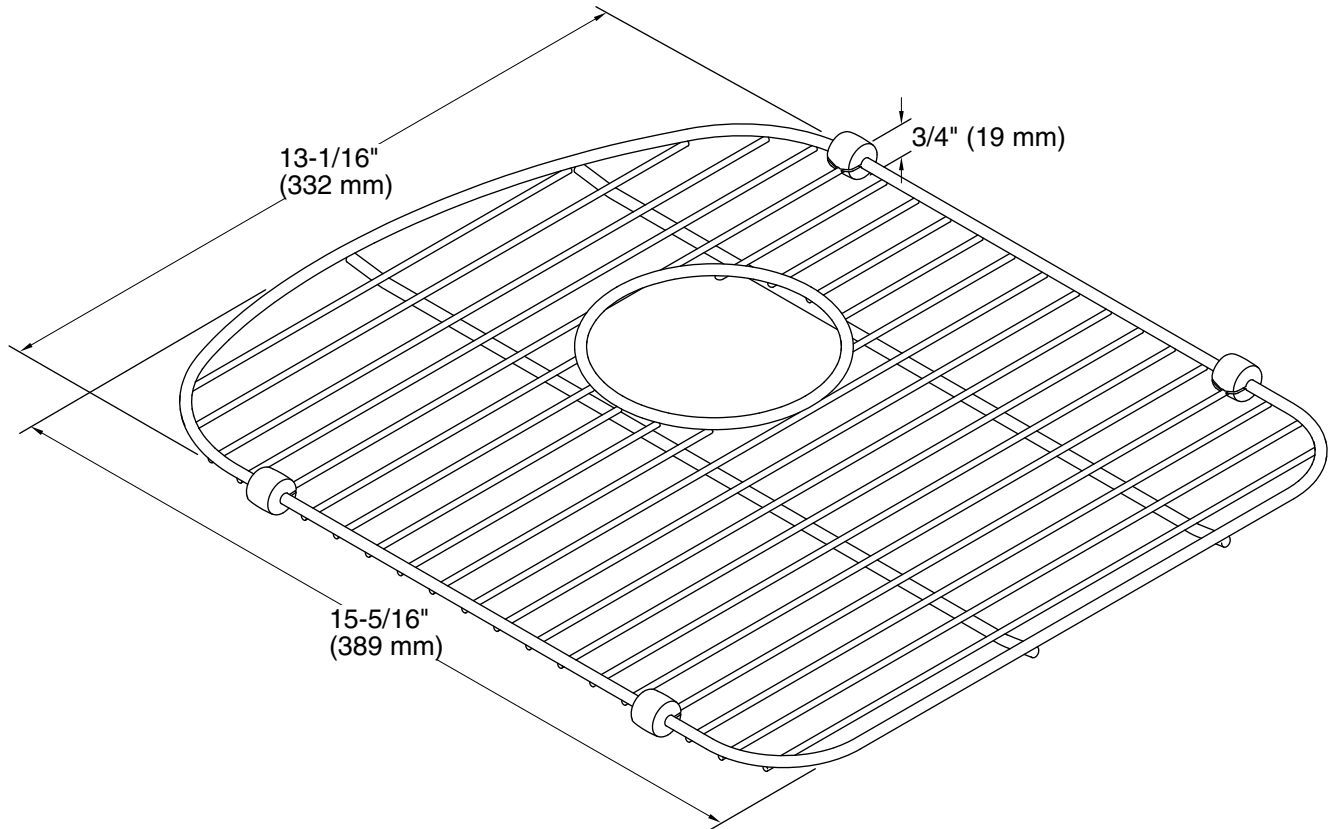
See website for detailed warranty information.

**Available Colors/Finishes**

*Color tiles intended for reference only.*

**Color Code Description**

	ST	Stainless Steel
---	----	-----------------



## Technical Information

All product dimensions are nominal.

Material:               Stainless Steel