

Features

- For use in bath/shower and shower only installations.
- Designed for new installations or retrofit to replace an existing installed shower arm.
- For use with temperature/volume control mixing valve (mixing valve sold separately).
- For use with Kohler handshowers and shower hoses.
- Showerhead, handshower, and shower hose are sold separately to allow for customized decor and functionality.
- Slidebar bracket allows you to adjust height and angle of handshower.

Material

- Premium metal construction for durability and reliability.
- KOHLER finishes resist corrosion and tarnishing.

Installation

- Wall-mount.
- Installs in less than 60 minutes without changes to in-wall plumbing (subject to condition of existing installation).
- For use in bath and shower installations.
- Includes an adapter that will fit with most installations but may require K-1194630, K-1187917 or K-1194302.

Adapters, Rough-in and Extension Kits

1194630	Range: 2-7/8" (73 mm) - 4" (102 mm)
1187917	Range: 0" (0 mm) - 1-3/8" (35 mm)
1194302	Range: 1-1/4" (32 mm) - 2-1/4" (57 mm)

Recommended Products/Accessories

K-8593 72" Shower Hose
K-9514 60" Shower Hose
K-45981 72" ribbon hose
K-45982 60" ribbon hose
K-23723 Faucet cleaner

Included Components

Additional Components:
Column/slidebar
Showerhead bracket



Codes/Standards



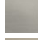
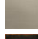


ASME A112.18.1/CSA B125.1

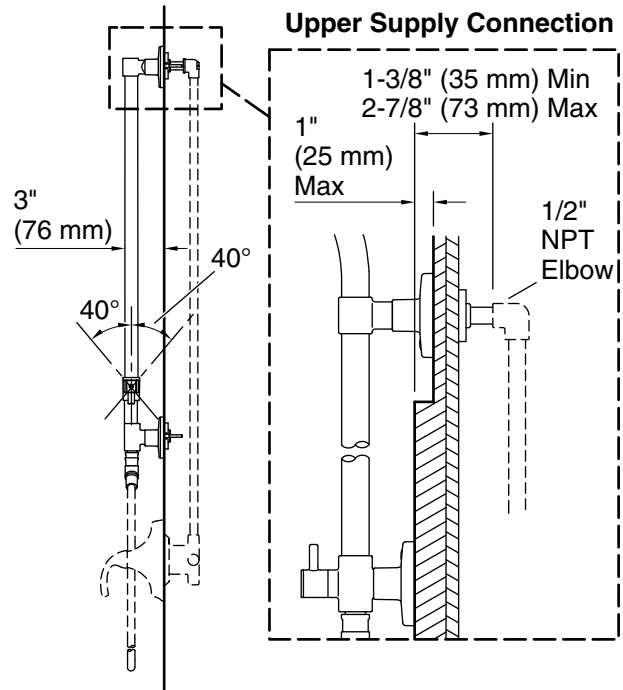
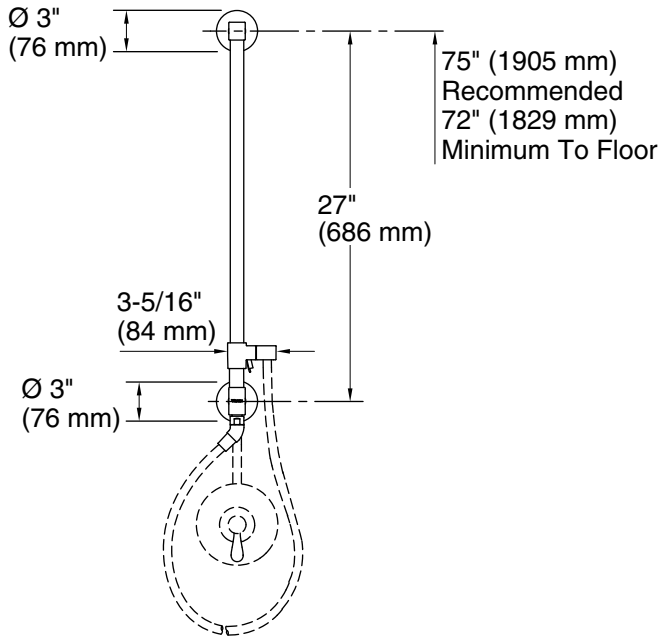
KOHLER® Faucet Lifetime Limited Warranty

See website for detailed warranty information.

Available Colors/Finishes

Color tiles intended for reference only.

Color	Code	Description
	CP	Polished Chrome
	SN	Vibrant® Polished Nickel
	BN	Vibrant® Brushed Nickel
	BV	Vibrant® Brushed Bronze
	2BZ	Oil-Rubbed Bronze
	2MB	Vibrant® Brushed Moderne Brass



NOTE: Valve trim and hose illustrated for dimensioning only, not included in the product.

Technical Information

All product dimensions are nominal.

Notes

Install this product according to the installation guide.

Order deep roughing-in kit 1194630 if the distance from the elbow to the finished wall surface is between 2-7/8" (73 mm) to 4" (102 mm).

Order shallow roughing-in kit 1187917 if the distance from the elbow to the finished wall surface is less than 1-3/8" (35 mm).

A 3" (76 mm) escutcheon/mounting collar is supplied to fit a 1" (25 mm) to 1-1/4" (32 mm) supply connection hole diameter. Order 1194302 large escutcheon/mounting collar kit if the supply connection hole diameter is between 1-1/4" (32 mm) to 2-1/4" (57 mm).

ADA compliant for shower-only installations.