

### Features

- Bowl-shaped basin with concentric ring styling.
- No faucet holes; requires wall- or counter-mount faucet.
- Glass material provides a strong durable surface that is easy to clean
- Fits standard 14- x 17-inch countertop cutout.

### Material

- Glass

### Installation

- Under-mount

### Recommended Products/Accessories

K-7107 Decorative Drain  
K-7108 Decorative Drain  
K-7129 Drain  
K-9018 P-Trap

### Included Components

Additional Components:  
52047 Clamp Accessory Pack, 4 Ea.  
1070246



ADA

### Codes/Standards








CSA B45.11/IAPMO Z401  
CSA B45.5/IAPMO Z124  
ADA  
ICC/ANSI A117.1

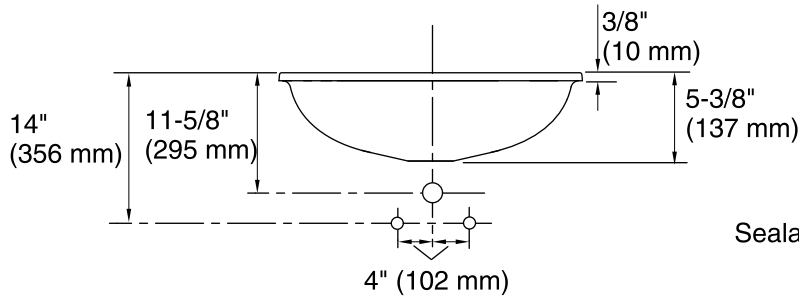
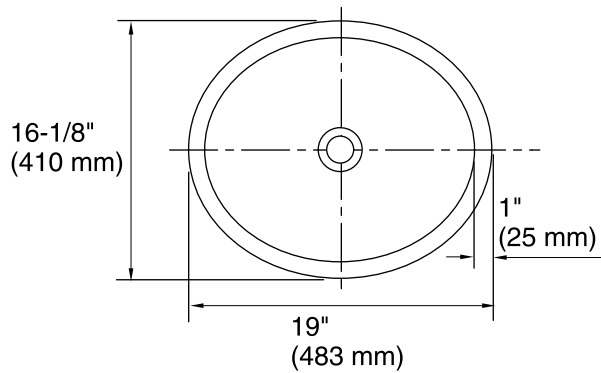
### KOHLER® One-Year Limited Warranty

See website for detailed warranty information.

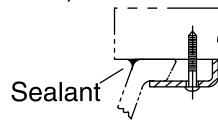
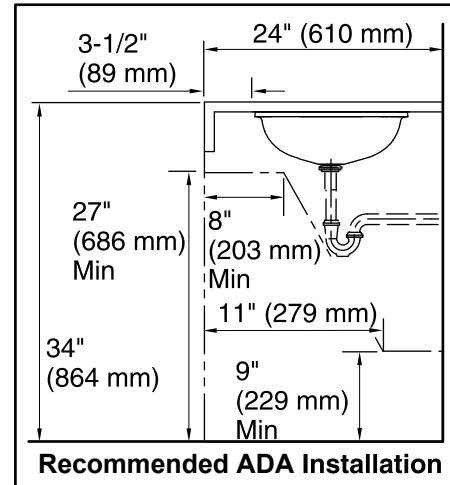
### Available Colors/Finishes

*Color tiles intended for reference only.*

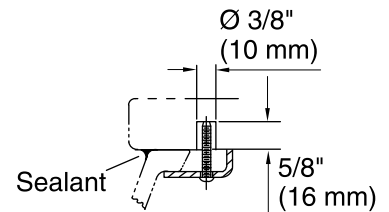
| Color  | Code | Description            |
|--|------|------------------------|
|  | B11  | Ice                    |
|  | TG1  | Translucent Dusk       |
|  | TG2  | Translucent Dew        |
|  | TG3  | Translucent Doe        |
|  | TG6  | Translucent Sapphire   |
|  | TG7  | Translucent Sandalwood |
|  | TG8  | Translucent Stone      |



**Standard Installation**



**Wood Installation**



**Marble Installation**

## Technical Information

All product dimensions are nominal.

|                     |  |
|---------------------|--|
| Bowl configuration: | Single   |
| Installation:       | Under-mount  |
| Bowl area:          | Length: 17-3/16" (437 mm)<br>Width: 14-3/16" (360 mm)<br>Bowl depth: 4-3/4" (121 mm)<br>Water depth: 4-3/4" (121 mm) |
| Template:           | 1151001-7, required, included  |

## Notes

Install this product according to the installation instructions.

**NOTICE:** Countertop manufacturer or cutter must use the cut-out template provided with the product, or a current one provided by Kohler Co. (call 1-800-4-KOHLER). Kohler Co. is not responsible for cutout errors when the incorrect cut-out template is used.

ADA compliant when installed to the specific requirements of these regulations.