

## Features

- Rectangular basin with curved bottom.
- Overflow drain.
- No faucet holes; requires wall- or counter-mount faucet.
- 52047 clamp assembly.

## Material

- Vitreous china.

## Installation

- Under-mount.

## Recommended Products/Accessories

K-8998 P-Trap

## Included Components

Additional Components:

1193643 Basin clamps



ADA

## Codes/Standards

ASME A112.19.2/CSA B45.1

ADA











ICC/ANSI A117.1

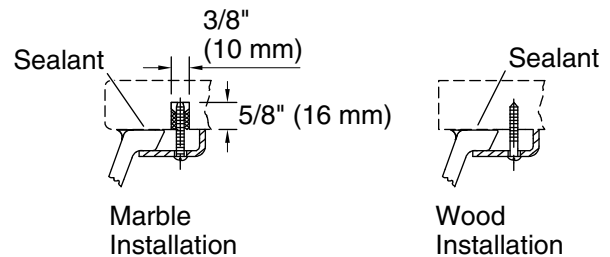
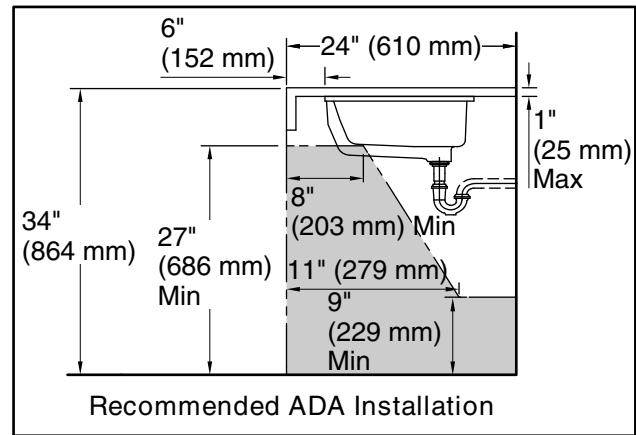
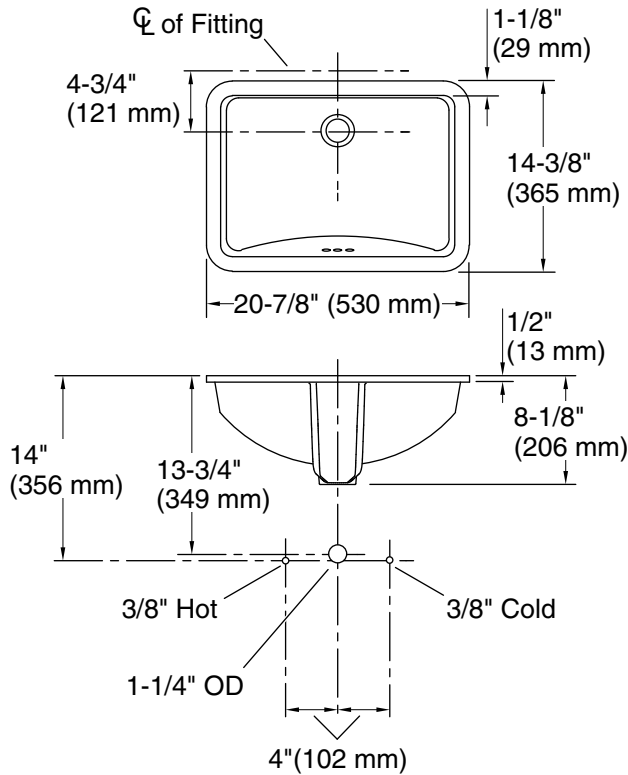
## KOHLER® One-Year Limited Warranty

See website for detailed warranty information.

## Available Colors/Finishes

*Color tiles intended for reference only.*

| Color  | Code | Description   |
|--|------|---------------|
|  | 0    | White         |
|  | 96   | Biscuit       |
|  | 47   | Almond        |
|  | NY   | Dune          |
|  | 95   | Ice™ Grey     |
|  | G9   | Sandbar       |
|  | K4   | Cashmere      |
|  | 58   | Thunder™ Grey |
|  | 7    | Black Black™  |
|  | 97   | Timberline™   |



## Technical Information

All product dimensions are nominal.

|               |   |
|---------------|---|
| Installation: | Under-mount   |
| Bowl area:    | Length: 18-5/8" (473 mm)<br>Width: 12-1/4" (311 mm)<br>Water depth: 4-5/8" (117 mm) |
| Drain hole:   | 1-3/4" (44 mm)  |
| Template:     | 1053195-7, required, not included   |

## Notes

Install this product according to the installation instructions.

The product diagram is based on the K-8998 adjustable P-trap with 1" (25 mm) of tailpiece exposed.

**NOTICE:** Countertop manufacturer or cutter must use the current product template available at [www.kohler.com](http://www.kohler.com), or by calling 1-800-4KOHLER. Kohler Co. is not responsible for cutout errors when the incorrect cutout template is used.

ADA compliant when installed to the specific requirements of these regulations.