

### Features

- Single faucet hole.
- Oval basin.
- Overflow drain.

### Material

- Vitreous china.

### Installation

- Drop-in

### Recommended Products/Accessories

K-8998 P-Trap



ADA CSA B651 OBC

### Codes/Standards







ASME A112.19.2/CSA B45.1  
ADA  
ICC/ANSI A117.1  
CSA B651  
OBC

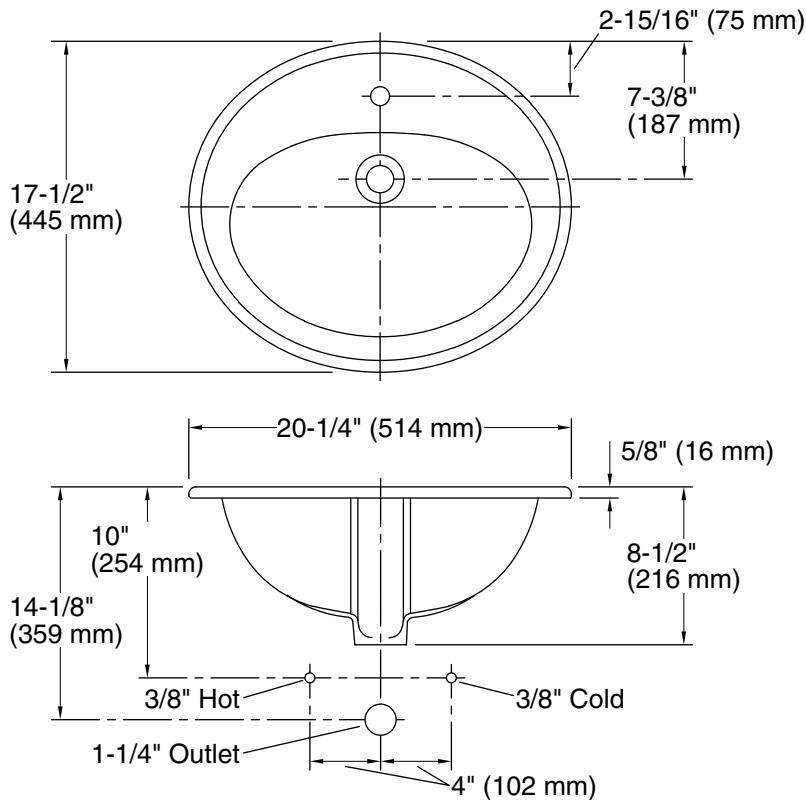
### KOHLER® One-Year Limited Warranty

See website for detailed warranty information.

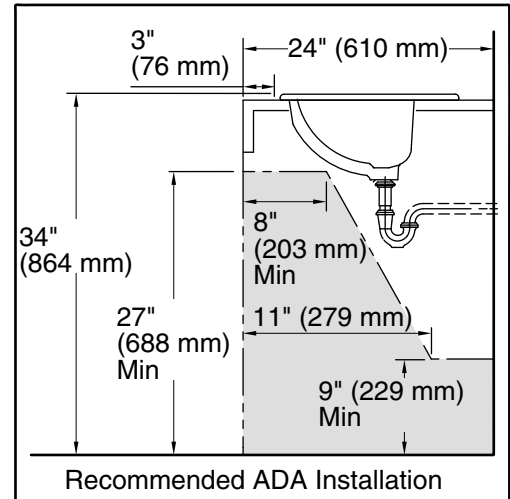
### Available Colors/Finishes

*Color tiles intended for reference only.*

| Color  | Code | Description  |
|--|------|--------------|
|  | 0    | White        |
|  | 96   | Biscuit      |
|  | 47   | Almond       |
|  | NY   | Dune         |
|  | 95   | Ice™ Grey    |
|  | 7    | Black Black™ |



Standard Installation



Recommended ADA Installation

### Technical Information

All product dimensions are nominal.

|                       |   |
|-----------------------|---|
| Bowl configuration:   | Single  |
| Installation:         | Drop-in   |
| Bowl area (Only):     | Length: 16" (406 mm)<br>Width: 11" (279 mm)<br>Water depth: 4" (102 mm) |
| Number of deck holes: | 1   |
| Faucet hole(s):       | 1-3/8" (35 mm)  |
| Drain hole:           | 1-3/4" (44 mm)  |
| Template:             | 1002970-7, required, included   |

### Notes

Install this product according to the installation instructions.

**NOTICE:** Countertop manufacturer or cutter must use the cut-out template provided with the product, or a current one provided by Kohler Co. (call 1-800-4-KOHLER). Kohler Co. is not responsible for cutout errors when the incorrect cut-out template is used.

ADA, OBC, CSA B651 compliant when installed to the specific requirements of these regulations.