

# KOHLER®

**Artifacts™**  
freestanding bath w/ Lavender Grey exterior  
**K-21000-LG**

## Features

- Freestanding design creates a striking focal point in your bathing area.
- Integral lumbar support on both ends.
- Safeguard® slip-resistant surface on bath floor.
- Requires K-204 claw feet or K-20027 base (sold separately).
- Coordinates with Artifacts faucets and accessories.

## Material

- KOHLER® enameled cast iron.
- Lavender Grey interior and painted exterior.

## Installation

- Freestanding.

## Required Products/Accessories

K-204 ball-and-claw feet

or

K-20027 bath base for freestanding bath

## Recommended Products/Accessories

K-7159 1-1/2" pop-up bath drain for freestanding baths

K-23726 Drain treatment

K-23725 Cast iron cleaner



## Codes/Standards

ASME A112.19.1/CSA B45.2

ASTM F462

## KOHLER® Enameled Cast Iron Bath and Shower Base Lifetime Limited Warranty

See website for detailed warranty information.

## Available Colors/Finishes

*Color tiles intended for reference only.*

Color	Code	Description
-------	------	-------------

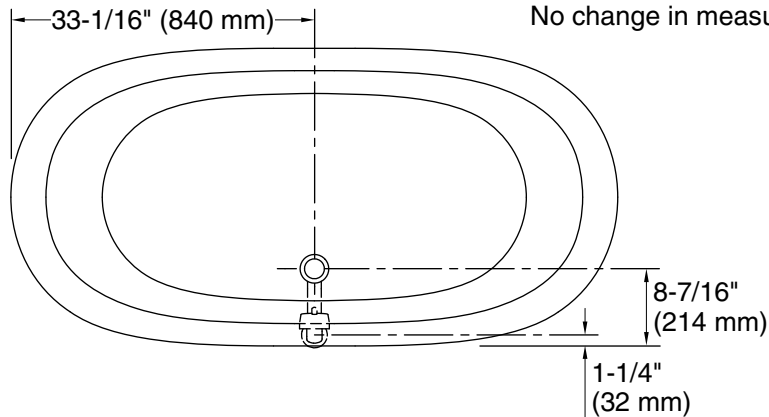
	GRL	Grey Lavender
---	-----	---------------

1-800-4KOHLER (1-800-456-4537)

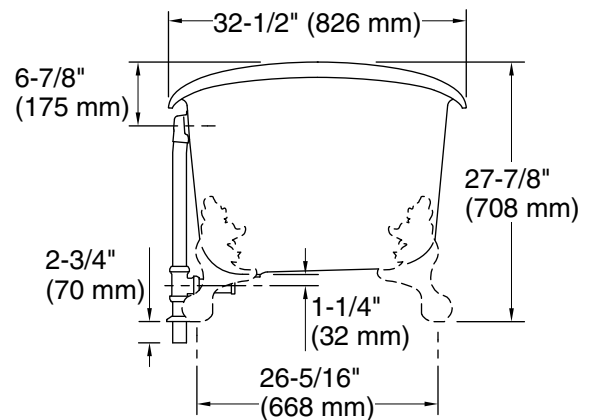
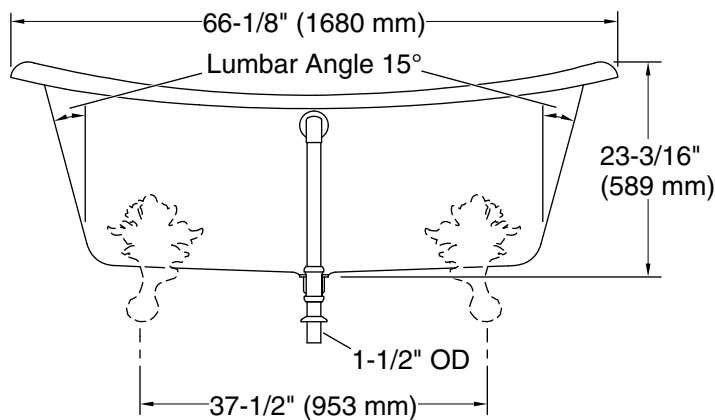
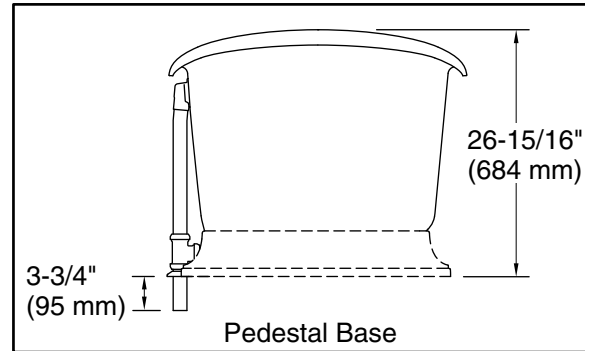
Kohler Co. reserves the right to make revisions without notice to product specifications.

For the most current Specification Sheet, go to [www.kohler.com](http://www.kohler.com).

THE BOLD LOOK  
OF **KOHLER®**



No change in measurements if connected with drain illustrated. (K-7159)



## Technical Information

All product dimensions are nominal.

Installation:	Freestanding
Drain location:	Center rear
Basin area, bottom:	48-15/16" x 24-3/4" (1243 mm x 629 mm)
Basin area, top:	58-11/16" x 27-13/16" (1491 mm x 706 mm)
Weight:	396.2 lbs (179.7 kg)
Minimum floor load:	90 lbs/ft <sup>2</sup> (439.4 kg/m <sup>2</sup> )
Water depth:	14-3/8" (366 mm)
Water capacity:	90 gal (340.7 L)
Template:	1344921-7, not required, not included

## Notes

Measure your actual product for rough-in details.

Install this product according to the installation instructions.

The hot water supply should be 70% of the capacity of the bath or greater. Installations will vary.