



**Artifacts™**

Freestanding bath w/ White exterior  
**K-21000-W**

**Features**

- Freestanding design creates a striking focal point in your bathing area.
- Integral lumbar support on both ends.
- Safeguard® slip-resistant surface on bath floor.
- Coordinates with Artifacts faucets and accessories.

**Material**

- KOHLER® enameled cast iron.
- Painted exterior in White.

**Installation**

- Freestanding.

**Required Products/Accessories**

- K-204 ball-and-claw feet
- K-7159 1-1/2" pop-up bath drain for freestanding baths

or

- K-20027 bath base for freestanding bath
- K-7159 1-1/2" pop-up bath drain for freestanding baths

**Recommended Products/Accessories**

- K-23726 Drain treatment
- K-23725 Cast iron cleaner



**Codes/Standards**

- ASME A112.19.1/CSA B45.2
- ASTM F462


**KOHLER® Enameled Cast Iron Bath and Shower Base Lifetime Limited Warranty**

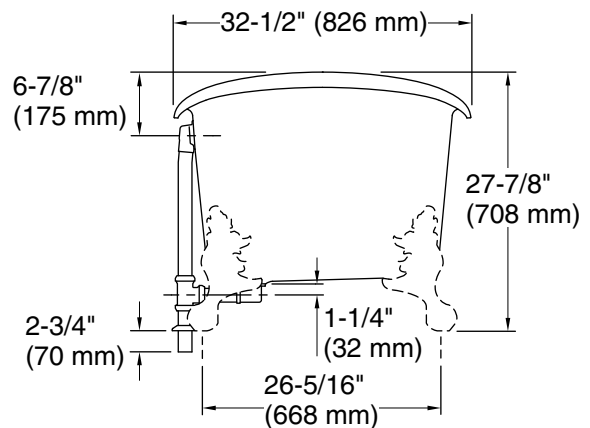
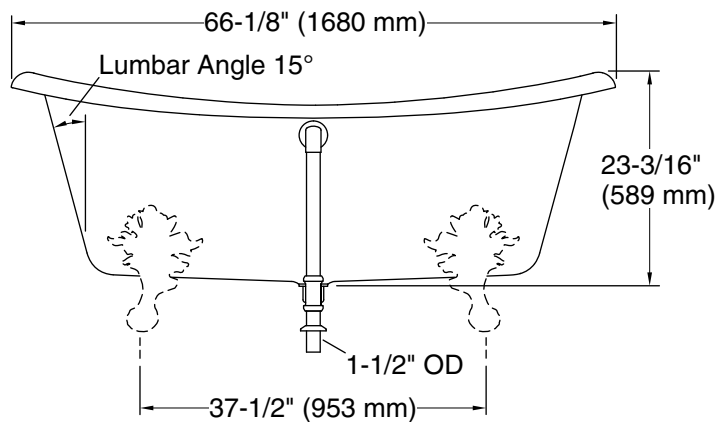
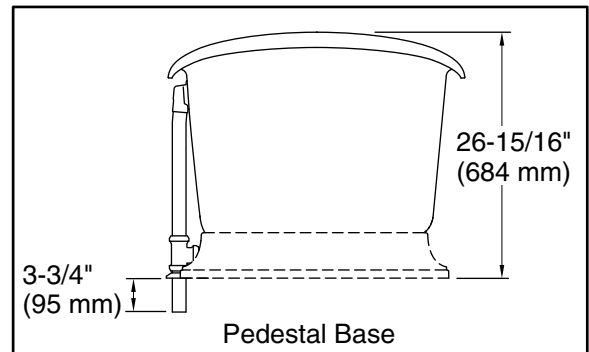
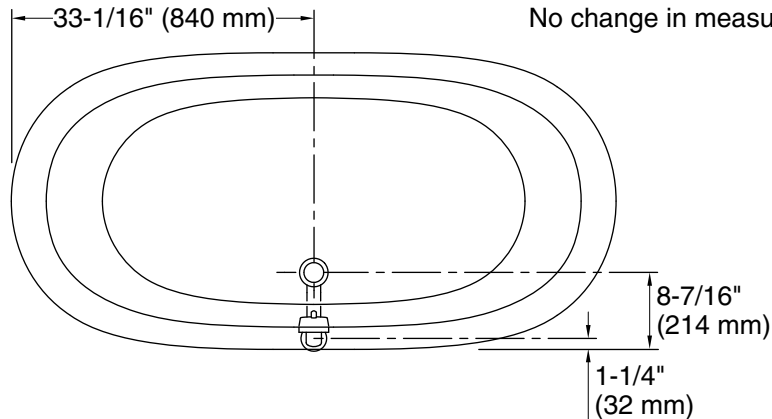
See website for detailed warranty information.

**Available Colors/Finishes**

*Color tiles intended for reference only.*

**Color Code Description**

	0	White
---	---	-------



### Technical Information

All product dimensions are nominal.

Installation:	Freestanding
Drain location:	Center rear
Basin area, bottom:	48-15/16" x 24-3/4" (1243 mm x 629 mm)
Basin area, top:	58-11/16" x 27-13/16" (1491 mm x 706 mm)
Weight:	396.2 lbs (179.7 kg)
Minimum floor load:	90 lbs/ft <sup>2</sup> (439.4 kg/m <sup>2</sup> )
Water depth:	14-3/8" (366 mm)
Water capacity:	90 gal (340.7 L)
Template:	Footprint, 1344921-7, required, not included

### Notes

Measure your actual product for rough-in details.

Install this product according to the installation instructions.

The hot water supply should be 70% of the capacity of the bath or greater. Installations will vary.