



# Iron Plains®

Vessel bathroom sink  
K-20213-B

## Features

- Elongated oval basin.
- Overflow drain.

## Material

- KOHLER® enameled cast iron.
- Painted underside in Biscuit.

## Installation

- No faucet holes; requires wall-or counter-mount faucet.
- Vessel, drop-in, or under-mount.

## Recommended Products/Accessories

- K-23726 Drain treatment
- K-23725 Cast iron cleaner



ADA CSA B651

## Codes/Standards

ASME A112.19.1/CSA B45.2  
ADA  
ICC/ANSI A117.1  
CSA B651



## Lifetime Limited Warranty for KOHLER® Cast Iron Components

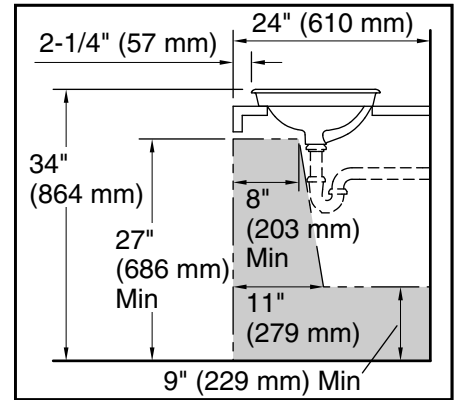
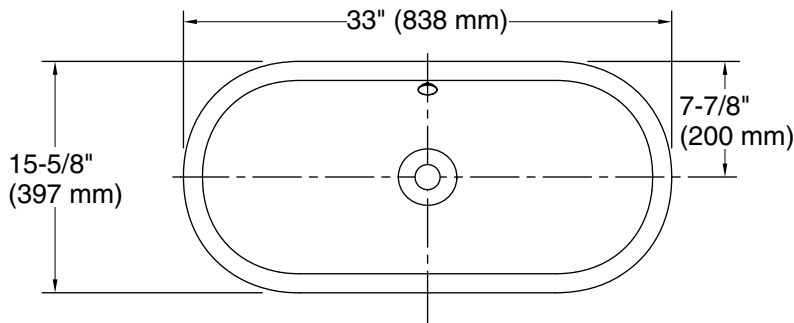
See website for detailed warranty information.

## Available Colors/Finishes

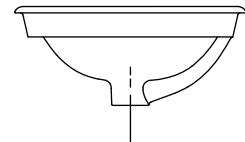
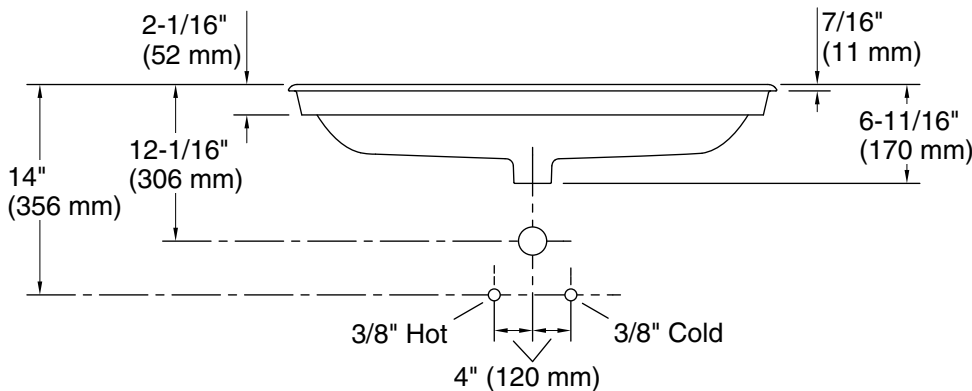
*Color tiles intended for reference only.*

### Color Code Description

	96	Biscuit
	FD	Cane Sugar™



Recommended ADA Installation



### Technical Information

All product dimensions are nominal.

Installation: Drop-in, Under-mount, Vessel  
 Drain hole: 1-3/4" (44 mm)  
 Template: 1319049-7, required, included

### Notes

Install this product according to the installation instructions.

NOTICE: Countertop manufacturer or cutter must use the cut-out template provided with the product, or a current one provided by Kohler Co. (call 1-800-4-KOHLER). Kohler Co. is not responsible for cutout errors when the incorrect cut-out template is used.

ADA, CSA B651 compliant when installed to the specific requirements of these regulations.