



# Iron Plains® Trough Rectangle

bathroom sink

**K-20212-P5**

## Features

- Large rectangular basin.
- No faucet holes; requires wall- or counter-mount faucet.
- Overflow drain.

## Material

- KOHLER® enameled cast iron.
- Painted underside in Iron Black.

## Installation

- Vessel, drop-in, or under-mount.



ADA

CSA B651

## Codes/Standards

ASME A112.19.1/CSA B45.2

ADA

ICC/ANSI A117.1









CSA B651

## Lifetime Limited Warranty for KOHLER® Cast Iron Components

See website for detailed warranty information.

## Available Colors/Finishes

*Color tiles intended for reference only.*

Color	Code	Description
	0	White
	FF	Sea Salt™
	96	Biscuit
	NY	Dune
	K4	Cashmere
	FT	Basalt
	KA	Black 'n Tan
	7	Black Black™

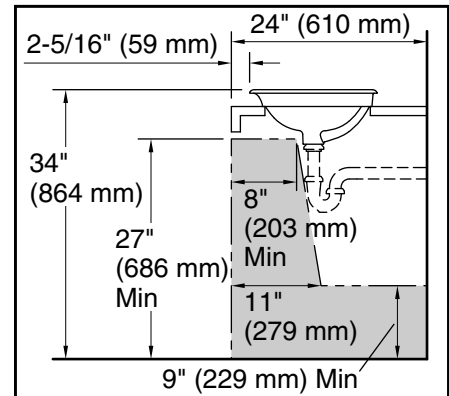
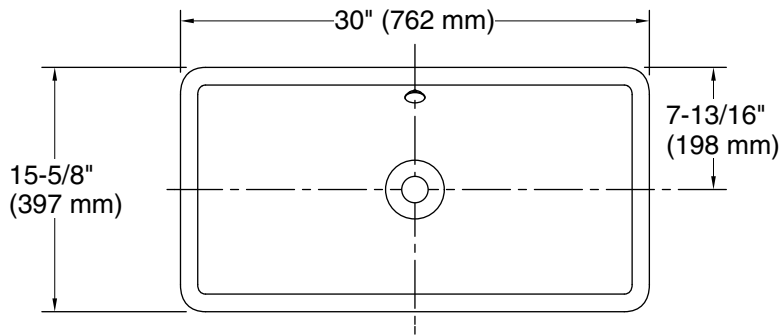
1-800-4KOHLE (1-800-456-4537)

Kohler Co. reserves the right to make revisions without notice to product specifications.

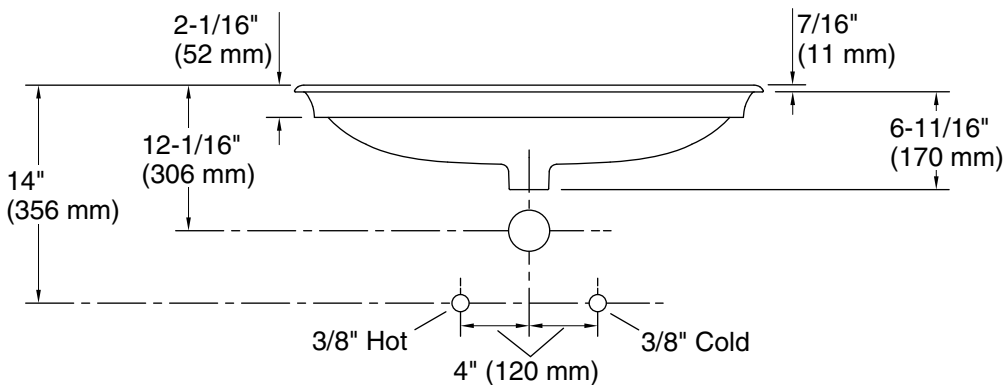
For the most current Specification Sheet, go to [www.kohler.com](http://www.kohler.com).

11-6-2019 05:31 - US/CA

THE BOLD LOOK  
OF **KOHLER**®



Recommended ADA Installation



### Technical Information

All product dimensions are nominal.

Installation: Drop-in, Under-mount, Vessel

Drain hole: 1-3/4" (44 mm)

Template: 1319048-7, required, included

### Notes

Install this product according to the installation instructions.

NOTICE: Countertop manufacturer or cutter must use the cut-out template provided with the product, or a current one provided by Kohler Co. (call 1-800-4-KOHLER). Kohler Co. is not responsible for cutout errors when the incorrect cut-out template is used.

ADA, CSA B651 compliant when installed to the specific requirements of these regulations.