



# Iron Plains® Round

bathroom sink

**K-20211-P5**

## Features

- Small round basin.
- No faucet holes; requires wall- or counter-mount faucet.
- Overflow drain.

## Material

- KOHLER® enameled cast iron.
- Painted underside in Iron Black.

## Installation

- Vessel, drop-in, or under-mount.



ADA

CSA B651

OBC

## Codes/Standards

ASME A112.19.1/CSA B45.2

ADA

ICC/ANSI A117.1

CSA B651









OBC

## Lifetime Limited Warranty for KOHLER® Cast Iron Components

See website for detailed warranty information.

## Available Colors/Finishes

*Color tiles intended for reference only.*

Color	Code	Description
	0	White
	FF	Sea Salt™
	96	Biscuit
	NY	Dune
	G9	Sandbar
	FT	Basalt
	KA	Black 'n Tan
	7	Black Black™

1-800-4KOHLE (1-800-456-4537)

Kohler Co. reserves the right to make revisions without notice to product specifications.

For the most current Specification Sheet, go to [www.kohler.com](http://www.kohler.com).

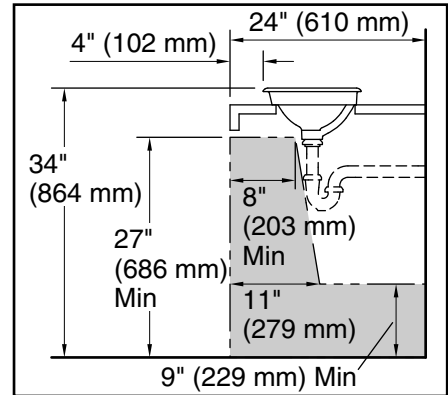
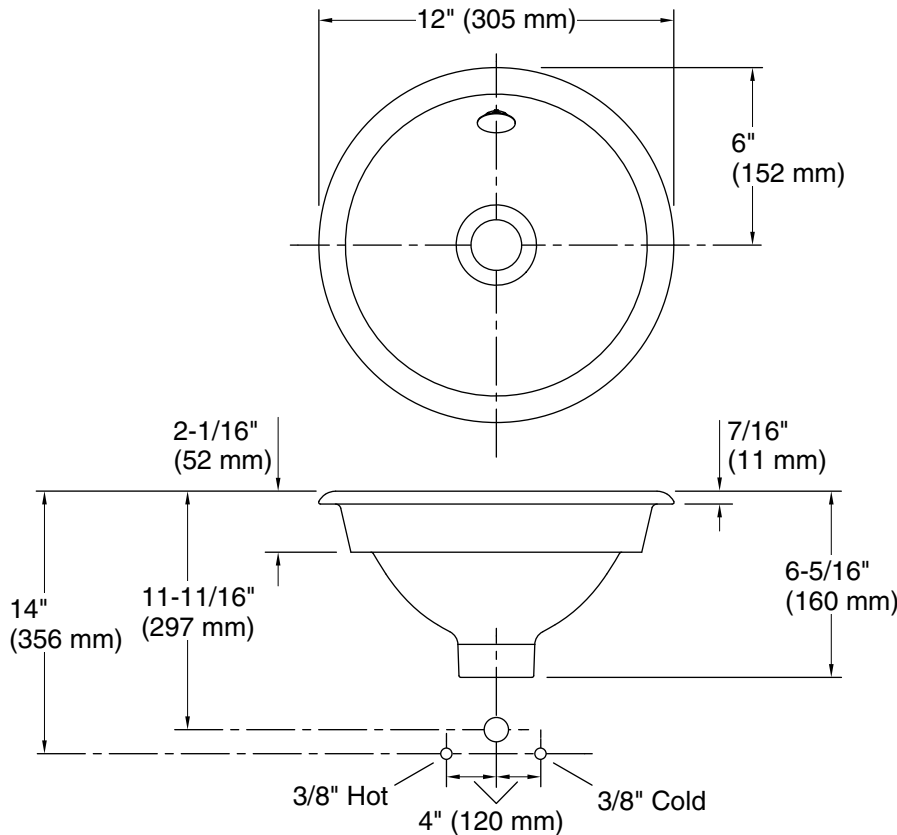
11-8-2019 05:48 - US/CA

THE BOLD LOOK  
OF **KOHLER**®

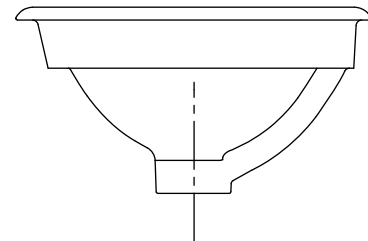


# Iron Plains® Round

bathroom sink  
**K-20211-P5**



Recommended ADA Installation



## Technical Information

All product dimensions are nominal.

- Installation: Drop-in, Under-mount, Vessel  
Drain hole: 1-3/4" (44 mm)  
Template: 1319047-7, required, included

## Notes

Install this product according to the installation instructions.

NOTICE: Countertop manufacturer or cutter must use the cut-out template provided with the product, or a current one provided by Kohler Co. (call 1-800-4-KOHLER). Kohler Co. is not responsible for cutout errors when the incorrect cut-out template is used.

ADA, OBC, CSA B651 compliant when installed to the specific requirements of these regulations.