

Features

- One-piece, self-contained ceramic disc valve allows both volume and temperature control.
- High-temperature limit setting for added safety.
- Flexible connections for easy installation.
- 360° swivel spout with 9" (229 mm) clearance.
- Quarter-turn washerless ceramic disc valve for filtered water.
- Separate lever handle and filtration inlet hose for cold filtered water.
- Contemporary European styling.
- Flexible supplies.
- 2.0 gpm (7.6 lpm) maximum flow rate at 60 psi (4.14 bar).

Material

- Brass.

Installation

- Single-hole mounting.

Recommended Products/Accessories

K-200 Water Filtration System
K-23723 Faucet cleaner



ADA

CSA B651

Codes/Standards

ASME A112.18.1/CSA B125.1

NSF/ANSI 61

NSF/ANSI 372

All applicable US Federal and State material regulations

DOE - Energy Policy Act 1992

ADA

ICC/ANSI A117.1

CSA B651

KOHLER® Water Filter Systems Five-Year Limited Warranty

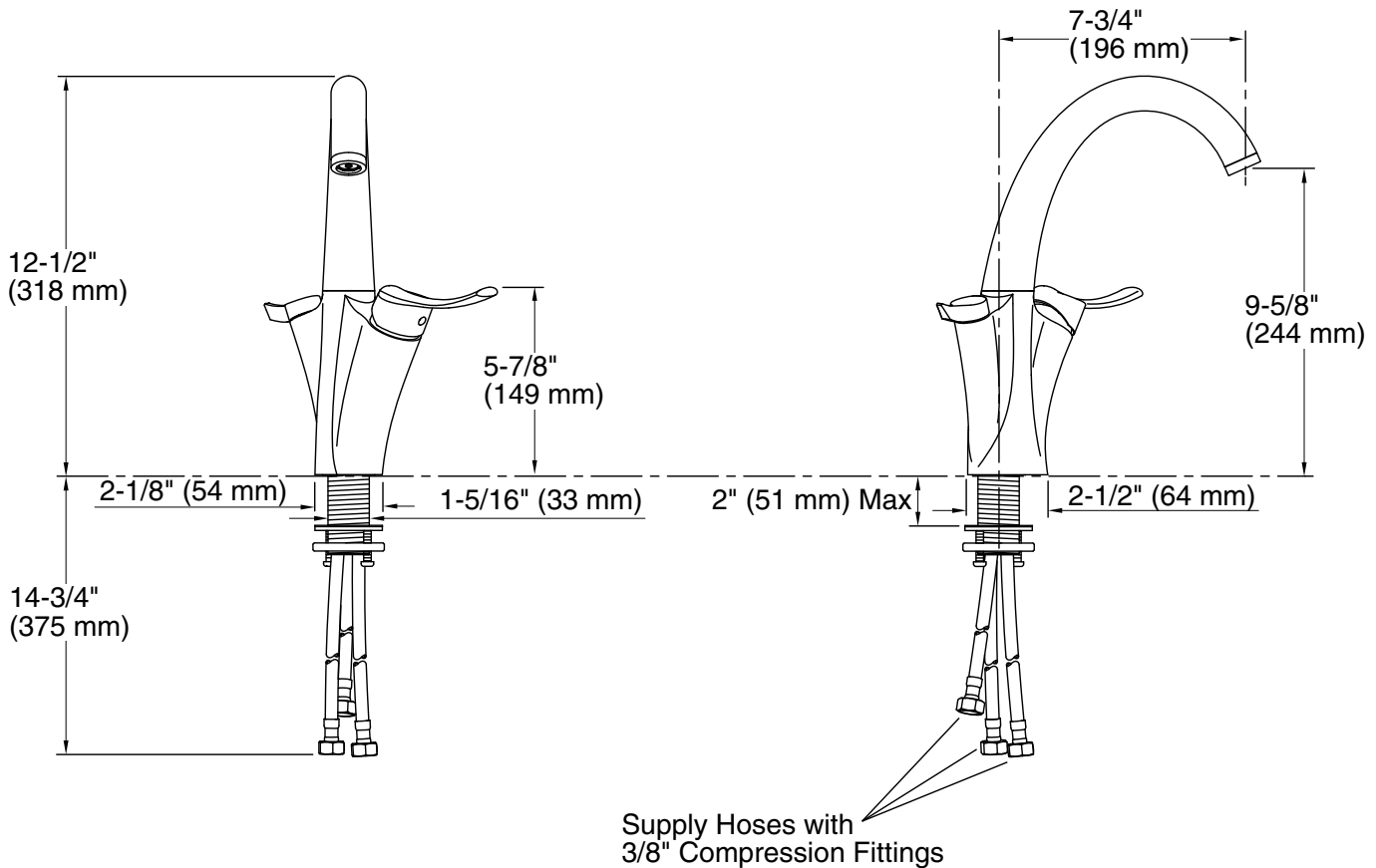
See website for detailed warranty information.

Available Colors/Finishes

Color tiles intended for reference only.

Color Code Description

	CP	Polished Chrome
---	----	-----------------



Technical Information

All product dimensions are nominal.

Spout:

Spout reach: 7-3/4" (197 mm)

Notes

Install this product according to the installation guide.

This product is not for use with instant hot water systems.

ADA, CSA B651 compliant when installed to the specific requirements of these regulations.